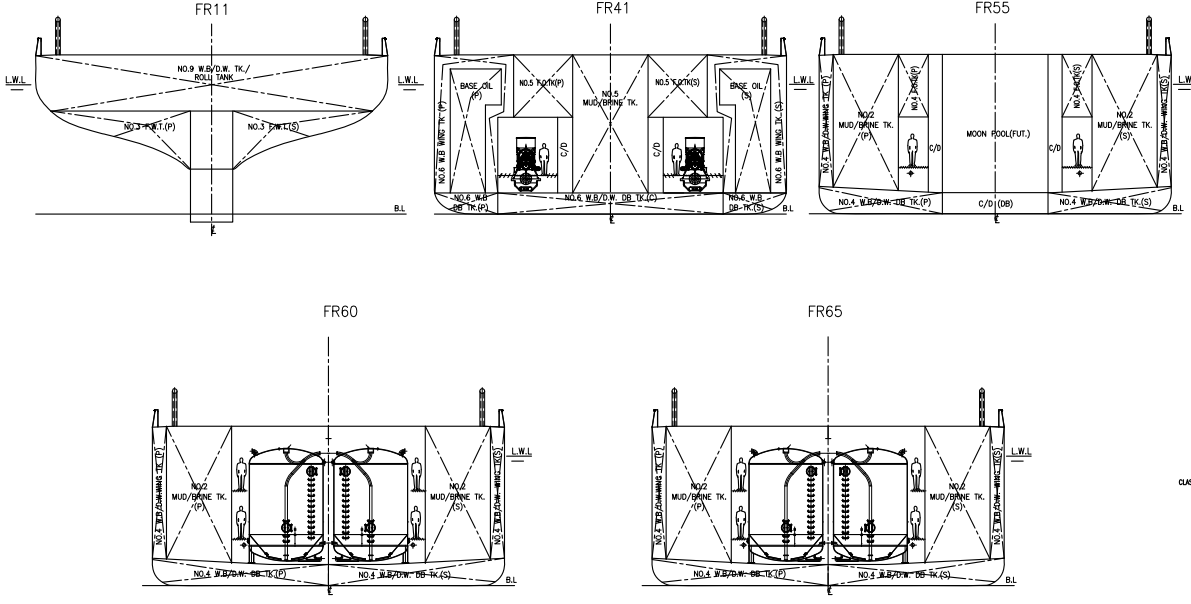
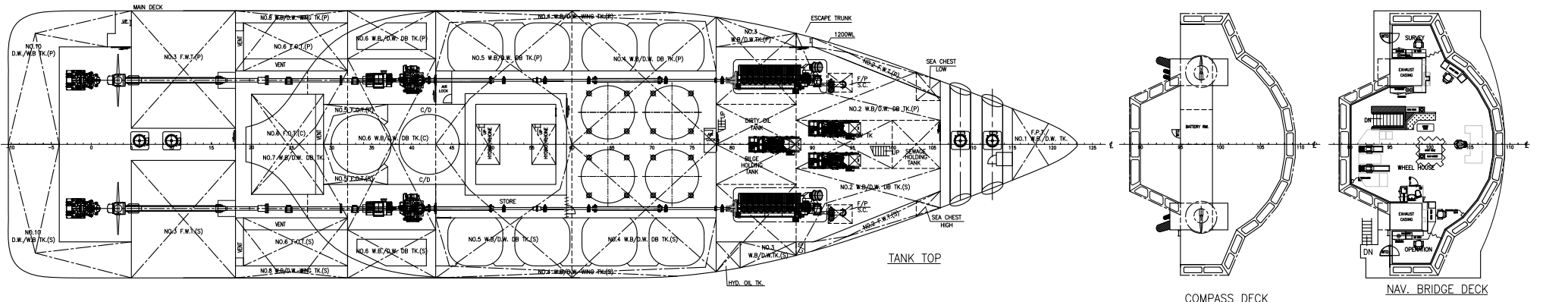
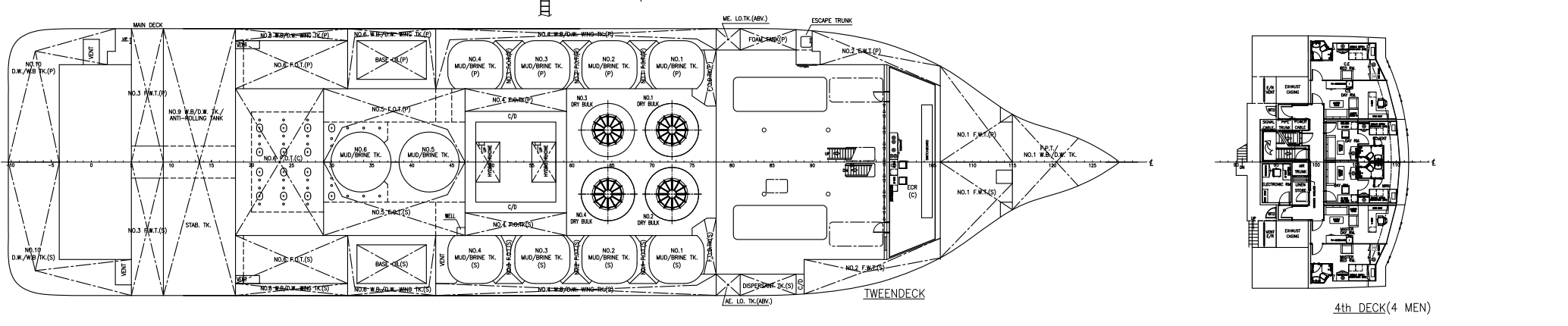
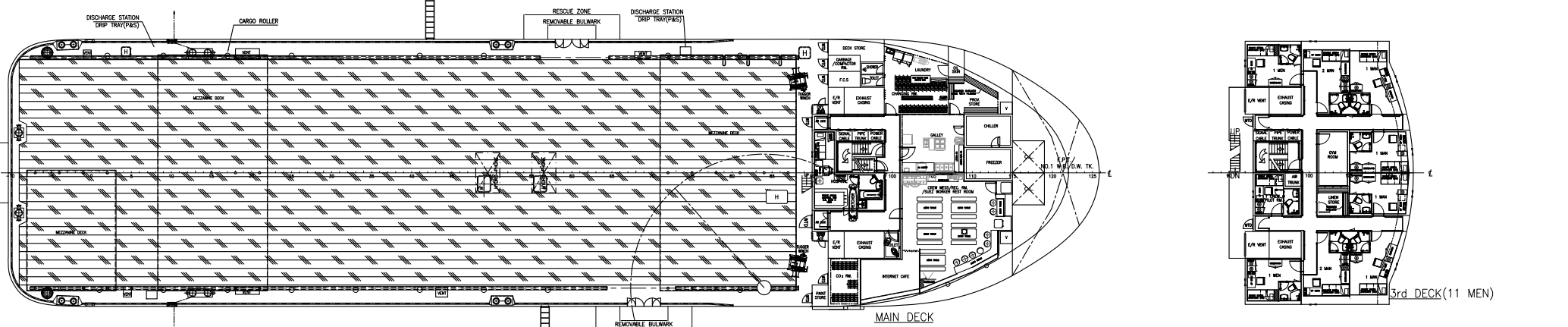
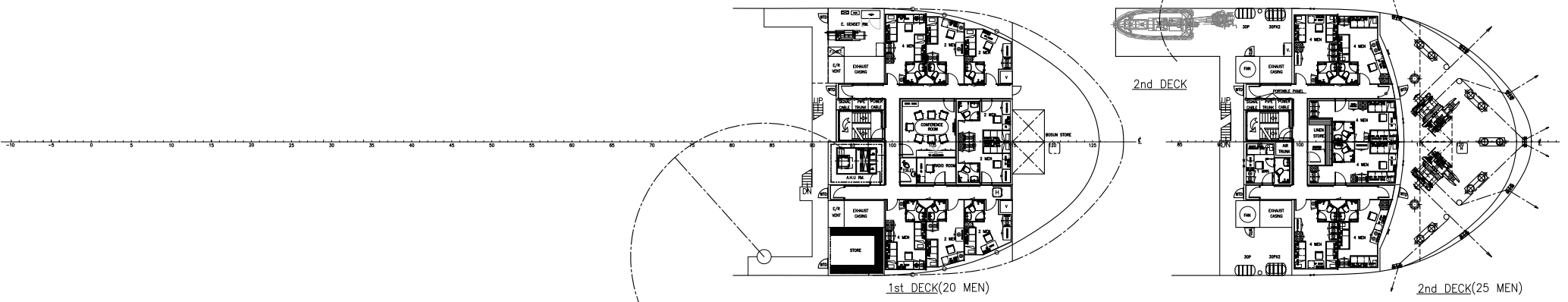
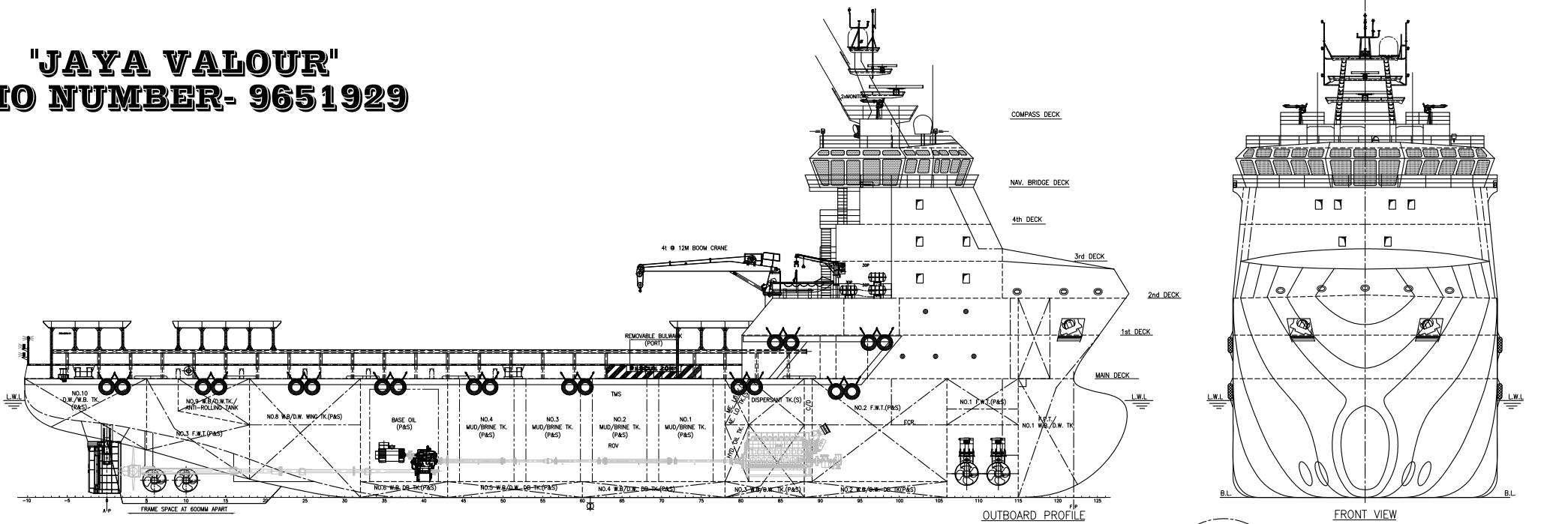


# "JAYA VALOUR"

## IMO NUMBER- 9651929



**ACCOMMODATION**

12x1	12 MEN
8x2	16 MEN
8x4	32 MEN
28 CABINS	60 MEN

**PRINCIPAL PARTICULARS**

LENGTH OA	83.60 M
LENGTH BP	73.20 M
BEAM MLD.	20.00 M
DEPTH MLD.	9.00 M
DRAFT DESIGNED	7.35 M
DRAFT SCANTLING	7.50 M
COMPLEMENT	60 MEN
DK CARGO AREA	800 M <sup>2</sup>
FUEL OIL	1,350 M <sup>3</sup>
POTABLE WATER	850 M <sup>3</sup>
CEMENT TANK	300 M <sup>3</sup>
BASE OIL	130 M <sup>3</sup>
W.B./D.W.	1,750 M <sup>3</sup>
MUD/BRINE	1,050 M <sup>3</sup>
CRANE	5t@10M

2	AMENDED AS PER OWNER COMMENTS	N.K.	JUL-04-2013
1b	AMENDED AS PER OWNER COMMENTS	N.K.	MAY-17-2013
1a	AMENDED AS PER DESIGN PROGRESS	N.K.	MAY-17-2013
REV NO.	REVISION DESCRIPTION	BY	DATE
OWNER			
JAYA SHIPBUILDING AND ENGINEERING PTE LTD			
BUILDER			
PT JAYA ASIATIC SHIPYARD			
HULL NO.: 0900			
PROJECT			
83.6M PLATFORM SUPPLY VESSEL "FOCAL 507"			
APPROVE	DWG TITLE:	JOB NO.: P-1355	
VERIFYER	GENERAL ARRANGEMENT(900)	DWG NO.: P-1355-G20	
CHECKER		SCALE : 1:200(A1)	
DRAWER	YP	CLASS : ABS	

**FOCAL MARINE & OFFSHORE PTE LTD**  
 TEL: 86-21-58705786 FAX: 86-21-50313265 EMAIL: info@focalmarine.com